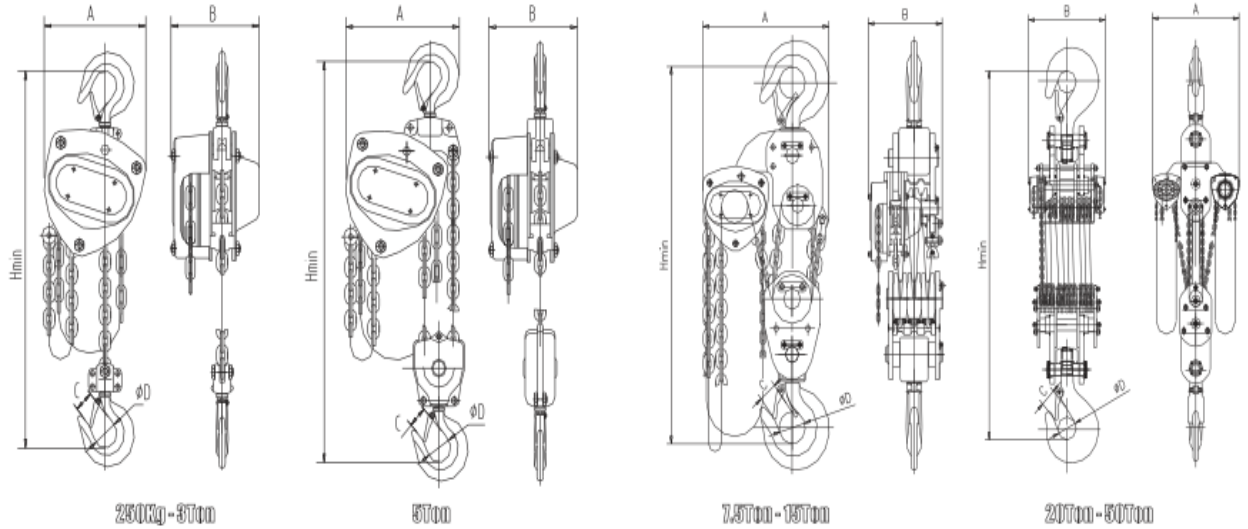


MANUAL CHAIN HOIST Model : MH

Capacity: 500 - 30000 kg



Technical Parameters

Item Code	Capacity	Model	No. of chain	Chain size (mm)	Pull on hand chain at WLL (N)	Net weight at standard 3m lift (kg)
202005	500	MH005	1	5x15	240	9.3
202010	1000	MH010	1	6x18	250	12.2
202015	1500	MH015	1	7x21	265	16.5
202020	2000	MH020	1	8x24	335	19.5
202030	3000	MH030	1	10x30	372	32
202050	5000	MH050	2	10x30	380	43
202075	7500	MH075	3	10x30	380	71.6
202100	10000	MH100	4	10x30	380	80.7
202150	15000	MH150	6	10x30	385	140
202200	20000	MH200	8	10x30	400x2	180
202300	30000	MH300	12	10x30	420x3	350

Size Specification (mm)

Item Code	Model	Hmin	A	B	C	D
202005	MH005	345	148	132	23	35
202010	MH010	376	172	151	26	40
202015	MH015	442	196	173	29.5	45
202020	MH020	470	210	175	34	50
202030	MH030	580	255	205	37.5	55
202050	MH050	690	280	189	41	65
202075	MH075	800	433	189	50	85
202100	MH100	830	463	189	50	85
202150	MH150	980	540	220	80	110
202200	MH200	1000	630	200	80	110
202300	MH300	1400	705	510	80	110