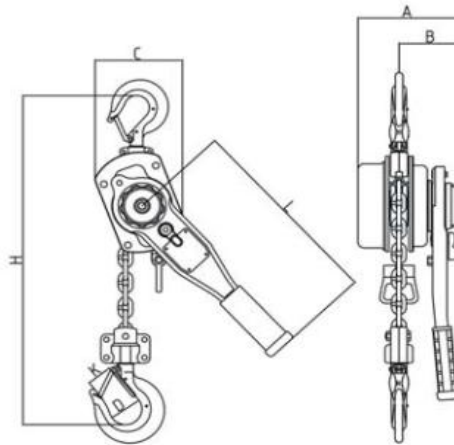


## RATCHET LEVER HOIST Model: LB

Capacity: 800 - 9000 kg



The standard free chaining device serves to quickly attach the load or to pull the chain through the hoist in both directions.

A hand lever hoist with a robust stamped steel construction and compact design.

The low tare weight and a smooth free chaining device make the LK a handy, universal tool.

### Features

- Forged suspension and load hooks, manufactured from non-aging, high alloy tempering steel, yield under overload instead of breaking.
- The chain guide is integrated into the housing to eliminate fouling and jamming of the chain on the load sheave.
- Robust chain stop.
- The standard free chaining device serves to quickly attach the load.
- Ergonomic handlever with rubber grip.
- Hard chromium plated hand wheel.
- Automatic screw-and-disc type load brake with corrosion protected components.
- Sturdy bottom block with encapsulated bolt connections.
- Due to optimized gearing a minimum effort is required to operate the short hand lever.

### Technical Parameters

Item Code	Capacity (kg)	Model	No. of chain	Chain size (mm)	Pull on hand chain at WLL N	Net weight at standard 3m lift(kg)
206008	800	LK008	1	6x18	180	7.4
206016	1600	LK016	1	8x24	380	11.6
206032	3200	LK032	1	10x30	450	19.9
206063	6300	LK063	2	10x30	500	29.4
206090	9000	LK090	3	10x30	550	41

### Size Specification (mm)

Item Code	Model	H min	A	B	C	D	L	K
206008	LK008	320	148	90	136	40	250	28
206016	LK016	380	172	98	160	52	300	38
206032	LK032	480	200	115	180	60	375	42
206063	LK063	600	200	115	235	68	375	50
206090	LK090	740	200	115	235	85	375	55